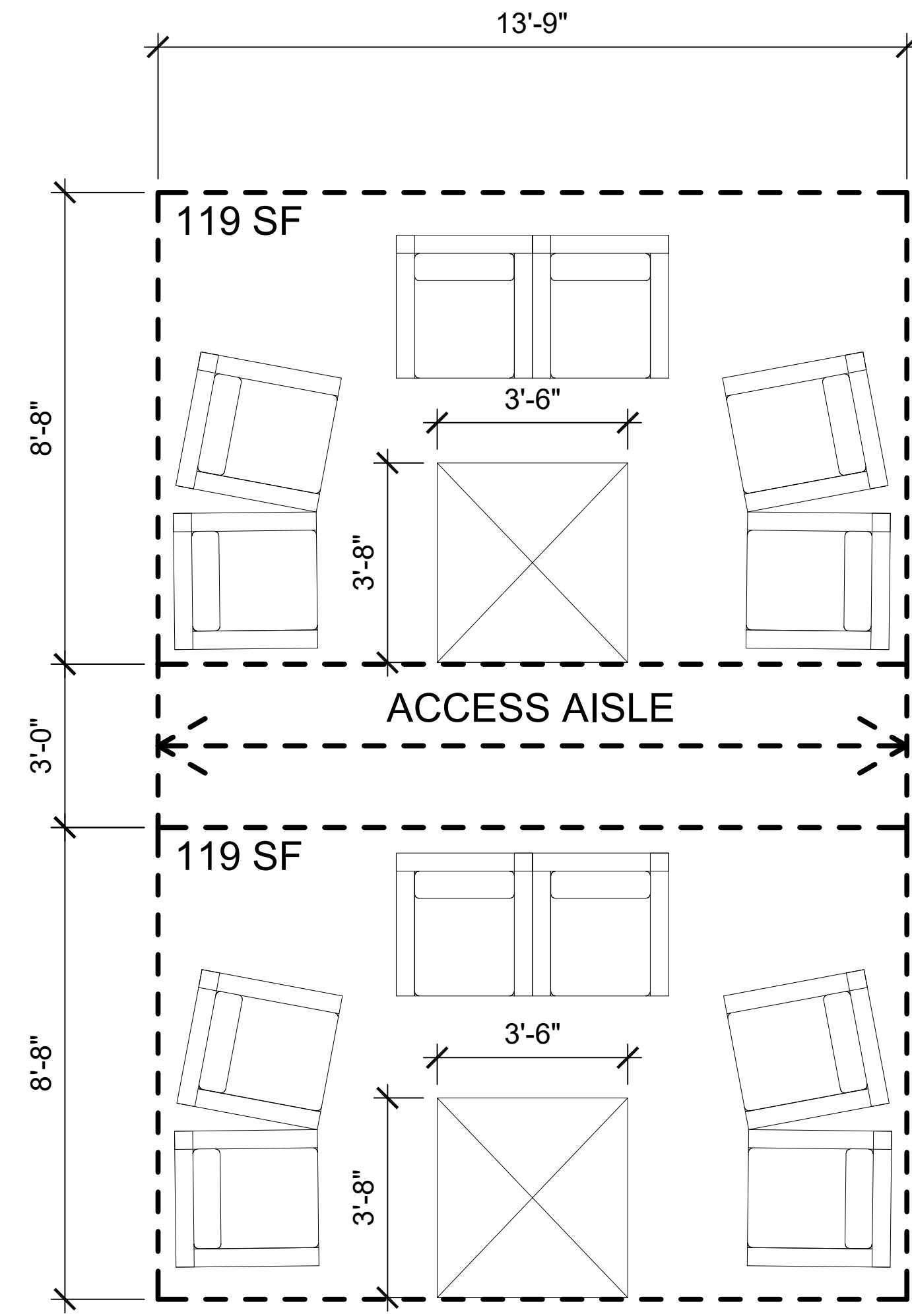


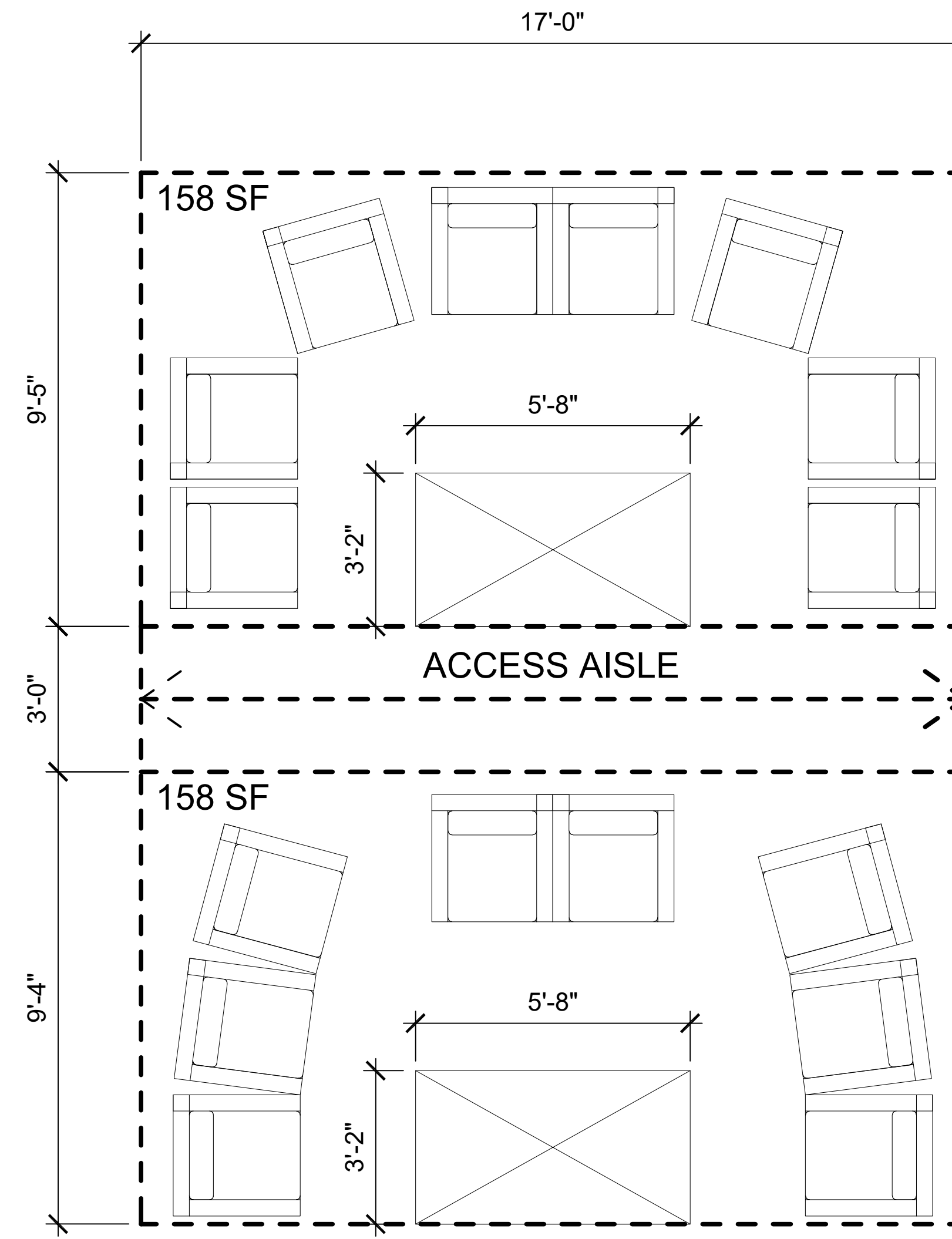
**STANDARD 4 PERSON SUITE LAYOUT**

NOTE: FINAL CLEAR DIMENSIONS MAY VARY SLIGHTLY DEPENDING ON FINAL CONSTRUCTION AND LOCATION



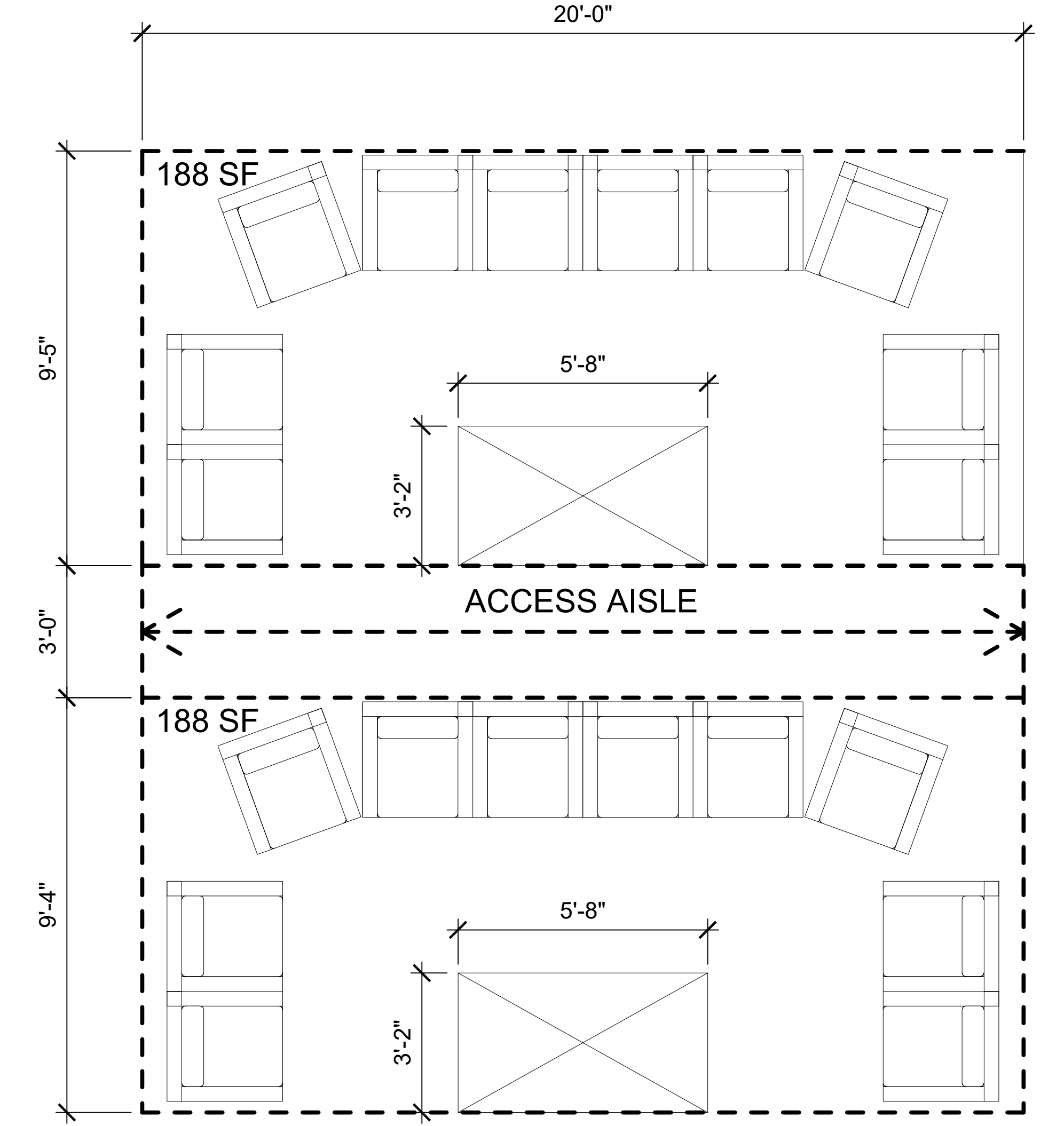
**STANDARD 6 PERSON SUITE LAYOUT**

NOTE: FINAL CLEAR DIMENSIONS MAY VARY SLIGHTLY DEPENDING ON FINAL CONSTRUCTION AND LOCATION



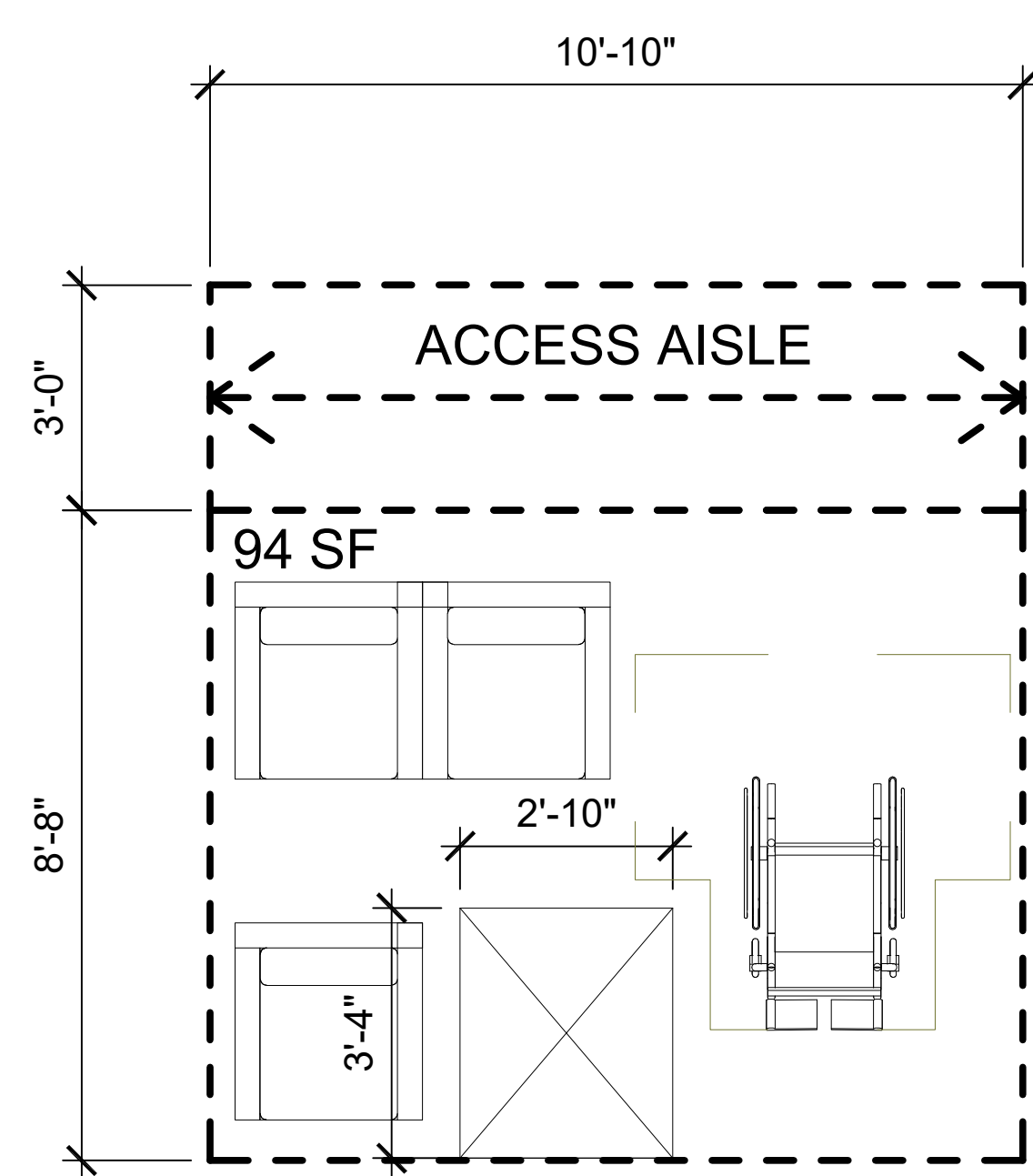
**STANDARD 8 PERSON SUITE LAYOUT**

NOTE: FINAL CLEAR DIMENSIONS MAY VARY SLIGHTLY DEPENDING ON FINAL CONSTRUCTION AND LOCATION



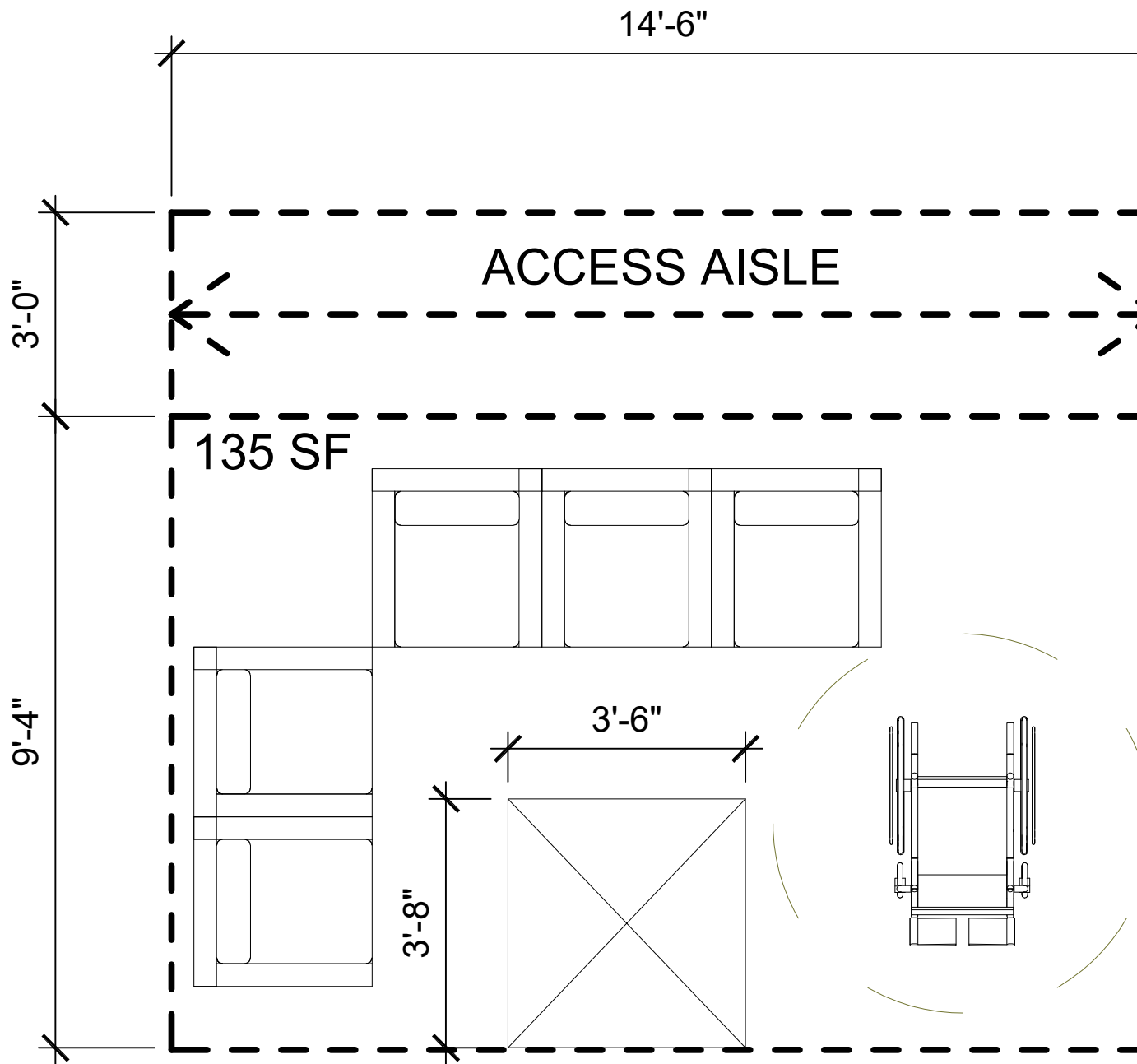
**STANDARD 10 PERSON SUITE LAYOUT**

NOTE: FINAL CLEAR DIMENSIONS MAY VARY SLIGHTLY DEPENDING ON FINAL CONSTRUCTION AND LOCATION



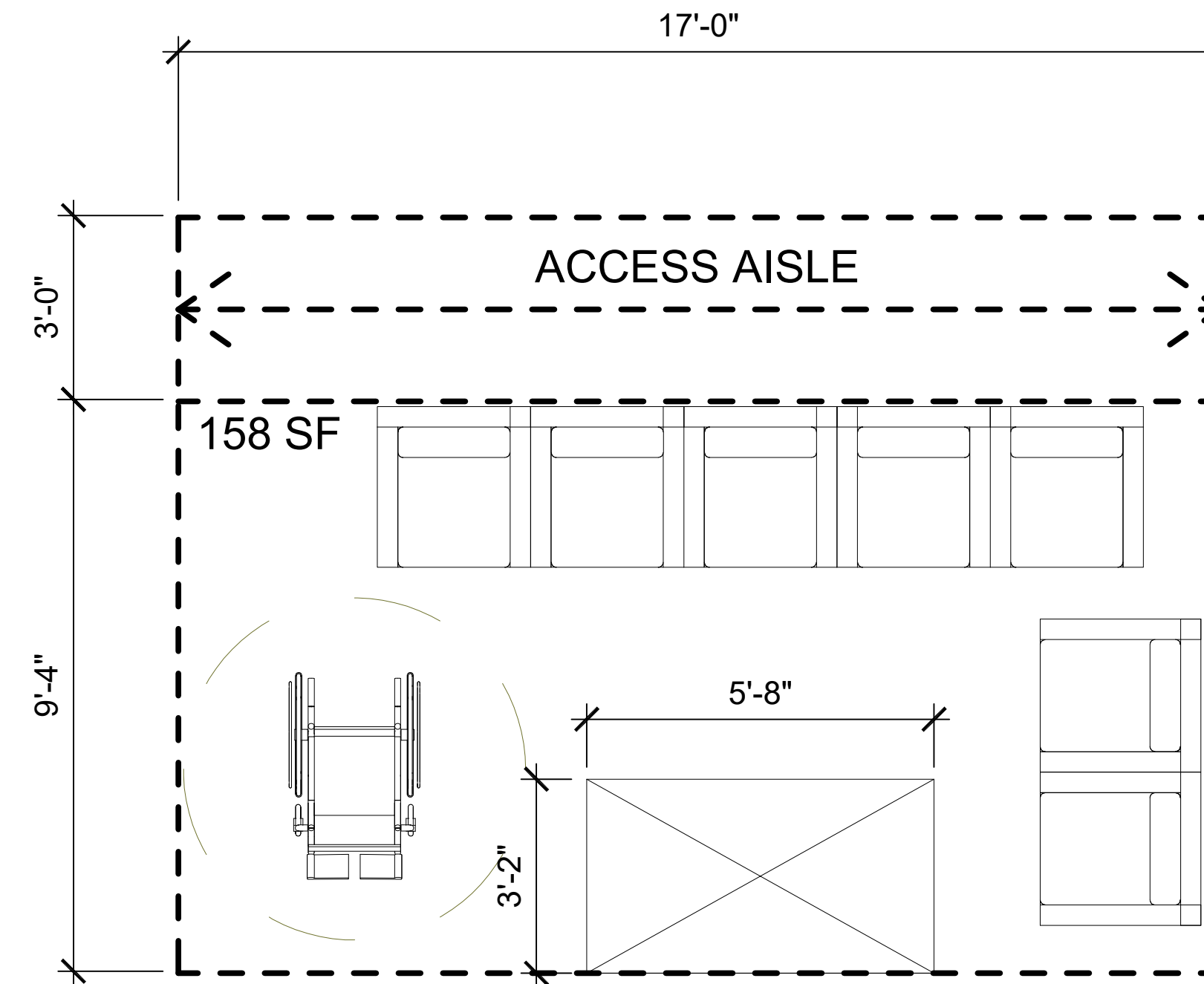
**STANDARD 4 PERSON ADA SUITE LAYOUT**

NOTE: FINAL CLEAR DIMENSIONS MAY VARY SLIGHTLY DEPENDING ON FINAL CONSTRUCTION AND LOCATION



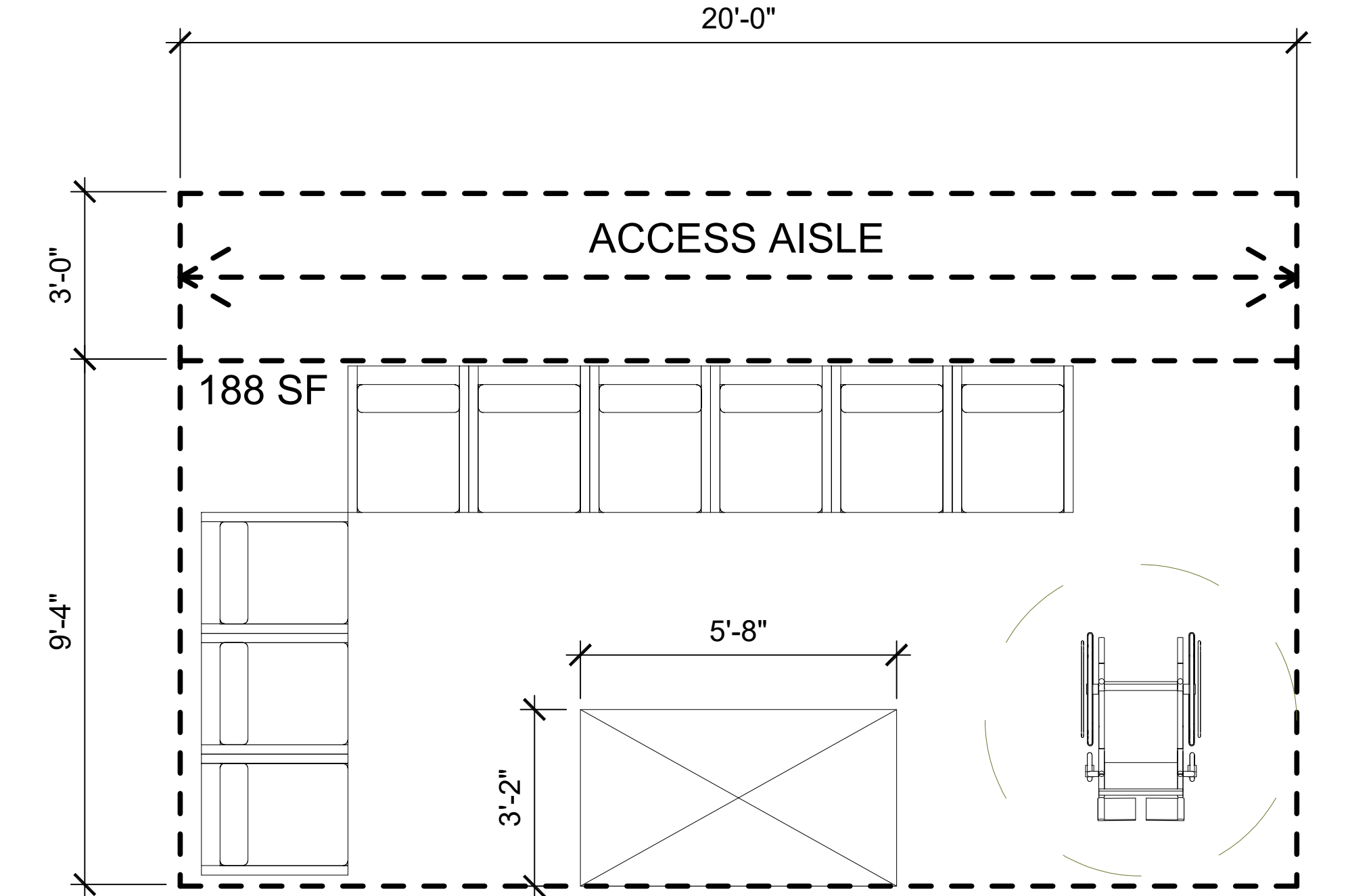
**STANDARD 6 PERSON ADA SUITE LAYOUT**

NOTE: FINAL CLEAR DIMENSIONS MAY VARY SLIGHTLY DEPENDING ON FINAL CONSTRUCTION AND LOCATION



**STANDARD 8 PERSON ADA SUITE LAYOUT**

NOTE: FINAL CLEAR DIMENSIONS MAY VARY SLIGHTLY DEPENDING ON FINAL CONSTRUCTION AND LOCATION



**STANDARD 10 PERSON ADA SUITE LAYOUT**

NOTE: FINAL CLEAR DIMENSIONS MAY VARY SLIGHTLY DEPENDING ON FINAL CONSTRUCTION AND LOCATION

FOR ADA CONSIDERATION AND A CAPACITY OF 10 SEATS, SMALLER SEATS MAY BE REQUIRED TO SEAT AT FULL 10 PERSON CAPACITY.